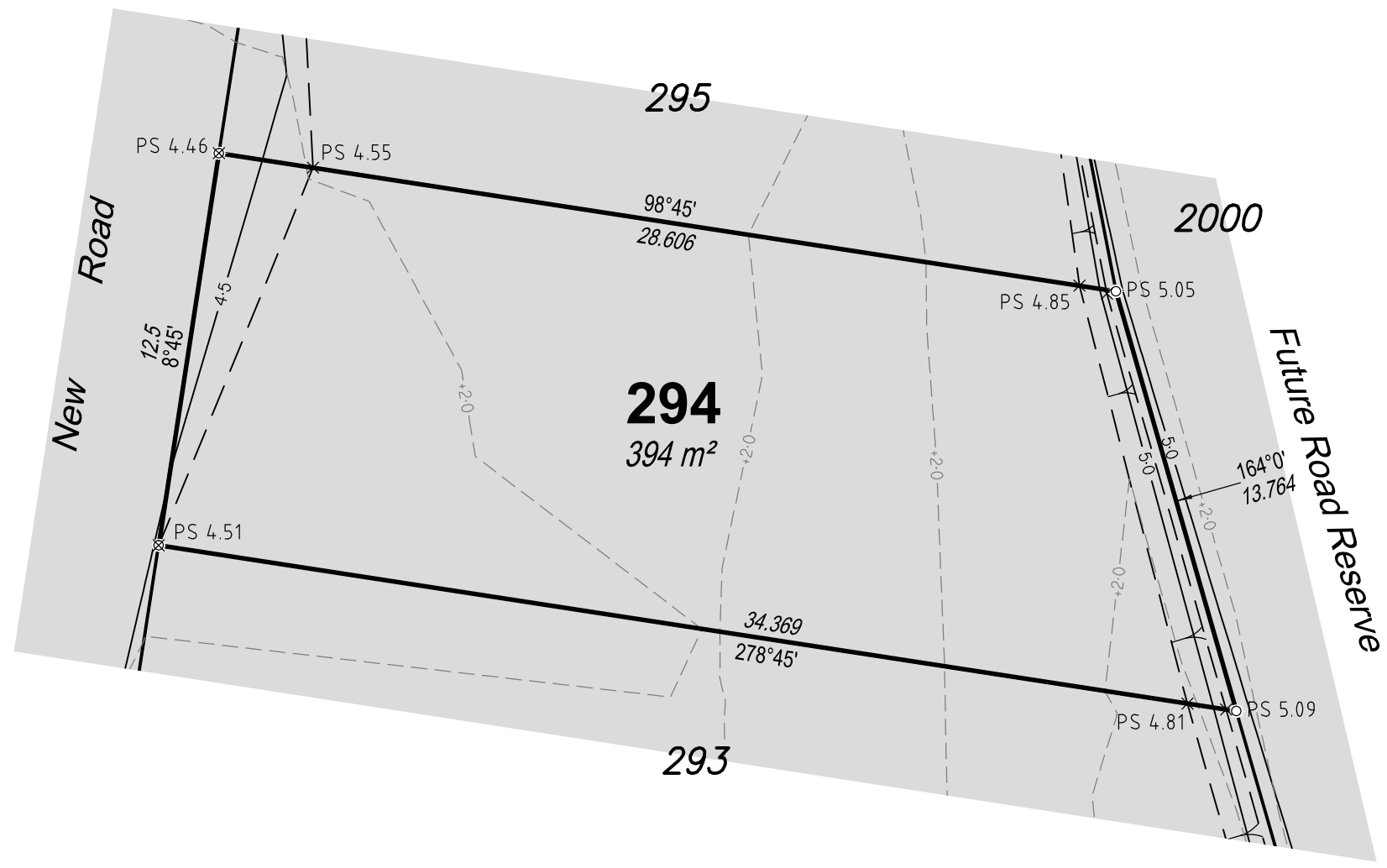


The Contractor shall complete all allotment earthwork operations in such a manner, to allow an approved Geotechnical testing company's certification that site filling has been placed as Level 1 "Controlled Fill" in accordance with the provisions of AS 3798-2007. The frequency of control testing shall be in accordance with the provisions of Table 8.1 of AS 3798-2007.



### DISCLOSURE PLAN

For Proposed Lot 294 on  
SP279974,  
North Harbour  
Stage 9

CURRENTLY DESCRIBED AS  
RPD Lot 200 on SP285043

LOCALITY Burpengary East  
LOCAL AUTHORITY Moreton Bay Regional Council

Legend

Area of Fill	
Proposed Surface Contour	
Fill Depth Contour	
Proposed Surface Level	PS 6.120
Proposed Earthworks Batter	

- Notes
- Area & Dimensions are subject to Survey Plan Registration.
  - Proposed contours, fill and retaining wall details are compiled from the engineering design plans provided by KN Group Pty Ltd, received on 10/06/2016.
  - Due to plotting limitations the retaining walls shown are indicative only and may not show the true width of the wall.
  - Levels shown are referenced to the Australian Height Datum (AHD)
  - This plan was prepared to satisfy Section 11 of the *Land Sales Act QLD 1984*.
  - Builders shall not build off the design levels shown; a site survey is required.
  - These notes are an integral part of this plan.

NORTH

SCALE 1:200 SHEET SIZE A3

**RPS** RPS Australia East Pty Ltd  
743 Ann Street  
Fortitude Valley Qld 4006  
t: +61 7 3237 8899  
f: +61 7 3237 8833  
www.rpsgroup.com.au

© COPYRIGHT PROTECTS THIS PLAN  
Unauthorised reproduction or amendment  
not permitted. Please contact the author.

This plan has been prepared by RPS Australia East Pty Ltd  
(Cadastral Surveyor) to satisfy the requirements of the Land Sales  
Act 1984.

DWG. 20430 Stage 9 Dis			SH. 1 of 1
DATE	PROJECT	PLAN	AMD.
18/07/16	20430	152/294	-